

ATSYNC-KIT Ethernet Time Sync Kit

Features

- Synchronizes the ATX6/ATX-C and peripheral Airtime products with the building's computer network.
- Time updates can occur once per day, per week or per month.
- Easily connects ATX6/ATX-C to LAN or WAN via Ethernet.

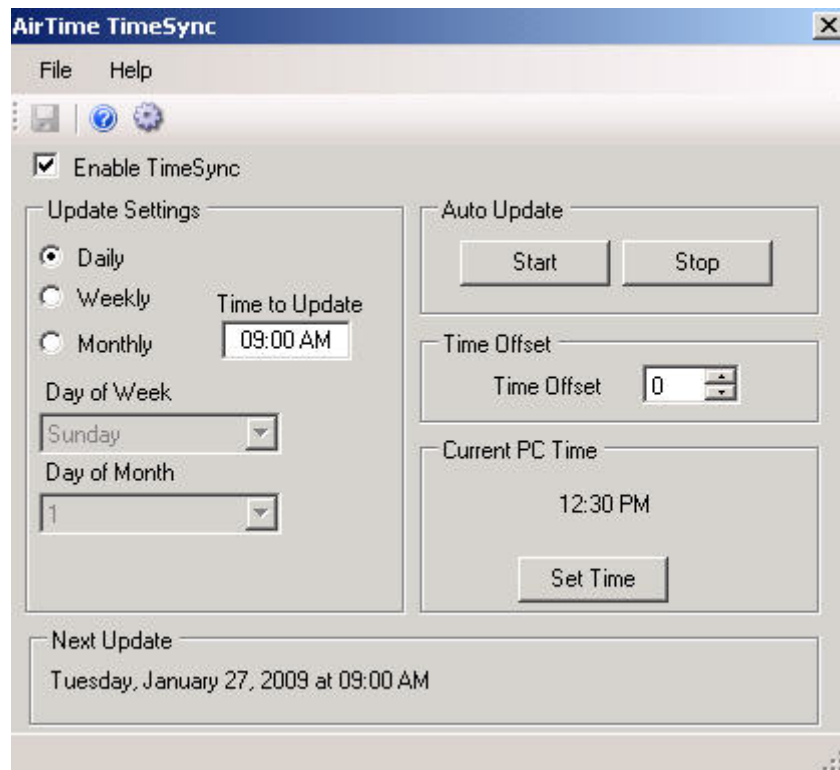
Operation

An ATSYNC icon appears in the system tray to indicate that the service is operating. A log file is available to verify if update events were successful and provides time and date of each past occurrence. You can manually update your Transceiver at any time by clicking the Set Time button.



Pack Contents: ATSYNC Software CD, TXTOSE Adapter and SAE0370 Cable, 25FT.

Main Screen



PC Requirements

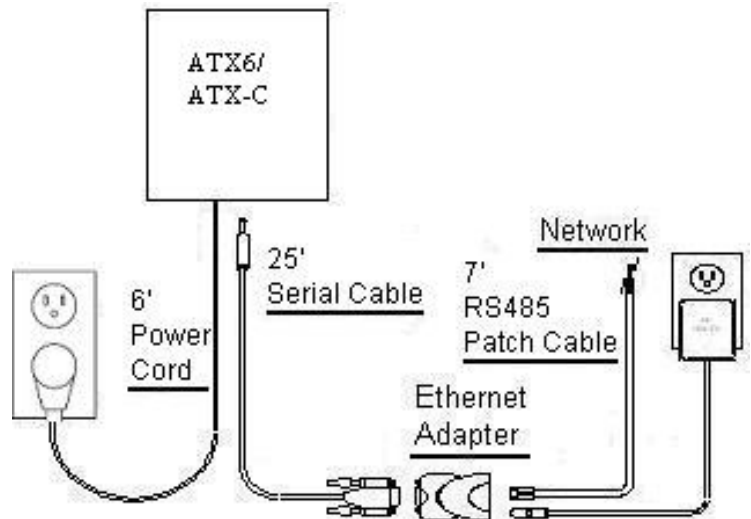
- Internet RequirementsMicrosoft Internet Explorer 6.0 SP1 or later (prerequisite for .NET Framework)
- RAMMinimum: 256 MB (512 MB if running Vista). Recommended: 512 MB or higher (1 GB if running Vista)
- Hard Disk Space100 MB free space
- NetworkEthernet Network card for Ethernet communications
- CD-ROMAvailable CD-ROM drive for installation media
- VideoSVGA with at least 800x600 screen resolution
- ProcessorPentium III Compatible or higher, Minimum: 500 MHz, Recommended: 1 GHz or higher
- Operating SystemsWindows Server 2003 SP1, Windows XP Home or Professional SP2, Windows Vista Home Premium, Business or Ultimate
- Prerequisite Software.....Microsoft .NET Framework 3.5 (installs automatically if not on computer).

Warranty

One year limited warranty on defects in material or workmanship.

Installation

1. Connect Cable
2. Install CD
3. Install and connect TXTOSER
4. Locate and assign IP Address to TXTOSER
5. Perform manual update and confirm that ATX6 is synchronized
6. Enter time frequency (daily, weekly or monthly) for updates to occur.
7. If network traffic or processes on your PC cause updates to be somewhat slow you can add 1 to 9 seconds to the time sent by selecting the correct number of seconds to add (Offset).



Lathem
 200 Selig Drive, SW
 Atlanta, Georgia 30336
 (800) 241-4990 | www.lathem.com

Copyright © 2009 Lathem Time Corporation. All rights reserved. Information believed to be accurate at time of printing, but is subject to change without notice. Lathem, AirTime, and their respective logos are registered trademarks of Lathem Time Corporation.